

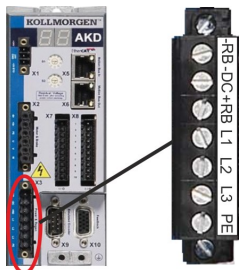
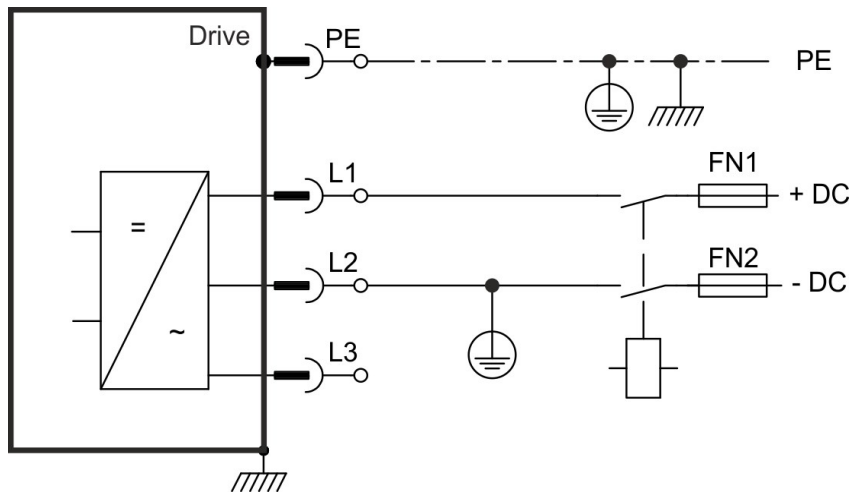
Data sheet for AKD-xzzz06-0069 (Low Voltage Supply)

This document describes special data for the low voltage AKD drive. All standard data, safety notes, mounting and wiring information is given in the *AKD Installation Manual*, available from the Kollmorgen Website .

Technical Data

Data	Units	AKD-x003	AKD-x006	AKD-x012	AKD-x024
Electrical data					
Rated supply voltage	VDC	1 x 24 to 100			
Rated input power for S1 operation	kVA	0.36	0.71	0.86	1.31
Rated input current	A	5	9.9	12	18.3
Permitted switch on/off frequency, mains	1/h	30			
Max. inrush current	A	3	3	3	3
Rated DC bus link voltage	V	24 to 100			
Continuous output current ($\pm 3\%$)	Arms	3	6	12	24
Peak output current (for 5 s, $\pm 3\%$)	Arms	9	18	30	48
Continuous output power @ rated input current					
at 24 V DC	VA	70	140	280	560
at 48 V DC	VA	140	280	560	1120
at 72 V DC	VA	210	420	845	1690
Peak output power (for 1 s)					
at 24 V DC	kVA	210	420	705	1125
at 48 V DC	kVA	420	845	1410	2255
at 72 V DC	kVA	635	1270	2115	3385
Data for Regen Circuit (regen power and external regen resistor data see <i>AKD Installation Manual</i>)					
Switch-on threshold of regen circuit	VDC	98			
Switch-off threshold of regen circuit	VDC	105			
Over voltage treshold	VDC	125			
Aux. voltage supply	V	24 V ($\pm 10\%$, check voltage drop)			
-current B, P, T types without/with motor brake	A	0.5 / 1.7	0.6 / 1.8	0.7 / 1.9	1.0 / 2.5
-current M type without/with motor brake	A	0.8 / 2.0	0.9 / 2.1	1.0 / 2.2	1.3 / 2.8
Mechanical data					
Weight (standard width)	kg	1.1	1.1	2	3.7
Height, without connectors	mm	168	168	196	248
Height, with connector	mm	200	200	225	280
Standard Width front/back	mm	54/59	54/59	72/78.4	96/100
Extended Width front/back	mm	84/89	84/89	91/96	96/100
Depth, without connectors	mm	156	156	187	228
Depth, with connectors	mm	185	185	< 215	<265

DC Power supply connection (X3, X4)



AKD-x003 to AKD-x006 (X3)		
Pin	Signal	Description
4	L1	+DC Power
5	L2	-DC Power
6	L3	n.c.
7	PE	Protective Earth



AKD-x012 (X3)		
Pin	Signal	Description
5	L1	+DC Power
6	L2	-DC Power
7	L3	n.c.
8	PE	Protective Earth



AKD-x024 (X4)		
Pin	Signal	Description
1	L1	+DC Power
2	L2	-DC Power
3	L3	n.c.
4	PE	Protective Earth



Join the [Kollmorgen Developer Network](#) for product support. Ask the community questions, search the knowledge base for answers, get downloads, and suggest improvements.

North America
KOLLMORGEN
 203A West Rock Road
 Radford, VA 24141
 USA

Web: www.kollmorgen.com
Mail: support@kollmorgen.com
Tel.: +1 - 540 - 633 - 3545

Europe
KOLLMORGEN Europe GmbH
 Pempelfurtstraße 1
 40880 Ratingen
 Germany

Web: www.kollmorgen.com
Mail: technik@kollmorgen.com
Tel.: +49 - 2102 - 9394 - 0

China and SEA
KOLLMORGEN
 Room 202, Building 3, Lane 168,
 Lin Hong Road, Changning District
 Shanghai

Web: www.kollmorgen.cn
Mail: sales.china@kollmorgen.com
Tel.: +86 - 400 661 2802